

# Getting Started Guide

## WIRED SWITCH COMPANION



### Welcome



The Decora Smart Wired Switch Companion is designed for Decora Smart and Decora Digital Dimmers, Switches, or Fan Speed Controllers in 3-way or multi-way applications. Up to 9 additional wired DD0SR-1 switch companions may be used for multi-way control.

Its stylish look matches the primary device for a seamless appearance and allows the user to turn the load on or off. Change the color at any time by ordering a new face plate color change kit (DDKIT-S). Face plate colors include white, ivory, light almond, gray, black and brown.

SPECIFICATIONS	
Torque	Tighten terminal screws to 14 - 18 in.-lb.
Operating Temperature	0°C - 40°C (32°F - 104°F)
Voltage	120VAC, 60Hz
Wiring Notes	Supports neutral and no neutral applications

**We are here to help**

- ONLINE**  
decorasmartsupport.leviton.com
- EMAIL**  
dssupport@leviton.com
- CHAT**  
www.leviton.com/contact
- CALL**  
1-800-824-3005 (USA)  
1-800-405-5320 (Canada)

1



### What You Need To Complete The Installation:

- Slotted/Phillips screwdriver
- Voltage tester
- Wire cutters.
- Wire connectors
- Electrical tape
- Decora wallplate

#### Compatibility

The Decora Smart Wired Switch Companion is intended for 3-way or multi-location applications only and must be used with a compatible Switch, Dimmer or Fan Speed Controller listed on this chart or at: [www.leviton.com/wiredcompanions](http://www.leviton.com/wiredcompanions)

DEVICE	WI-FI™	Z-WAVE®	HOMEKIT®	ZIGBEE™	DECORA DIGITAL™ and DECORA
Dimmer	D26HD D2MDS DWVAA DW6HD DW1KD	DZ1KD DZ6HD ZW6HD	DH1KD DH6HD	DL1KD DL6HD DG6HD	DDL06-1* DDM06 DDMX1 DDL06-B DDE06 DD710
Switch	D215S D2SCS DW15S	DZ15S ZW15S	DH15S	DL15S DG15S	DDS15 DOS15 DVS15 DT2xx
Fan Speed Control	DW4SF D24SF	ZW4SF			DDF01

\*No neutral wire required.

2



### Features

#### Rocker Switch

- Press the top to turn ON.
- Press the bottom to turn OFF.



**NOTE:** This is a companion device intended for 3-way and multi-way applications only. A primary Decora Smart or Decora Digital Switch, Dimmer or Fan Speed Controller is required to control the Load.

3



### How It Works

The Wired Switch Companion uses digital circuitry to communicate with the primary Decora Smart or Decora Digital Dimmer, Switch, or Fan Speed Controller controlling the load. Unlike traditional multi-location installations which mechanically route power as a switch is moved, the Wired Switch Companion sends data across the YL/RD traveler wire.

**NOTE:** With the exception of the DDL06-1 Dimmer, primary Decora Smart and Decora Digital devices require a neutral, therefore a neutral wire is required in both/all electrical boxes. Please review wiring diagrams carefully to ensure proper operation. See page 2 for compatibility information.

If you are unsure of your wiring or your wiring does not match the examples in this guide, please contact an electrician or Leviton support services (see page 1).

For a wire-free 3-way application, use Decora Smart Wi-Fi 2nd Gen devices which work with the DAWDC and DAWSC wireless Anywhere Companions.

4



### Important Tips

When wiring a 3 way, the first step is to determine your existing wiring. To do this:

- Turn off power at the circuit breaker. With the **power off**, remove the wallplate and switch from **both** switch locations but **do not disconnect wires**.
- Take pictures of your existing wiring to note the current configuration.
- Next, match your existing installation to one of the following three wiring examples on page 6, 7, and 8.

For each of the following wiring examples, the steps will address:

1. The existing configuration.
2. Identification of wiring.
3. How to wire the Primary Decora Smart or Decora Digital device and Wired Switch Companion.

**If your wiring does not match one of the included examples or you are unsure of your wiring, please contact an electrician or call Leviton Technical Services.**

5

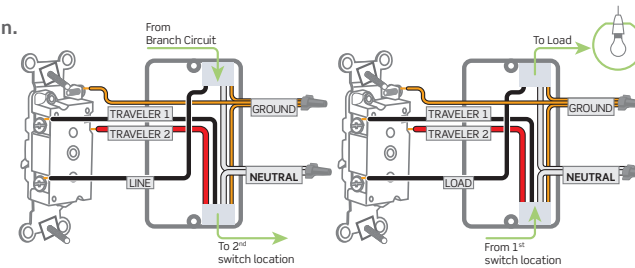


### 3-Way Wiring With A Neutral Wire In Both Boxes

**WARNING: TO AVOID FIRE, SHOCK OR DEATH, TURN OFF POWER AT THE CIRCUIT BREAKER.**

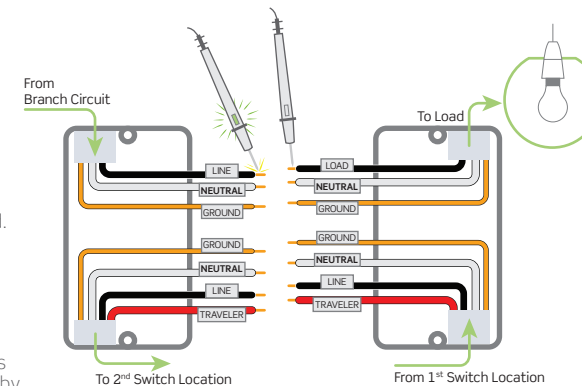
#### 1. Review your existing installation.

In this example, both boxes have a bundle with a Traveler (White, Black, Red, Ground) and a 2-conductor bundle (White, Black, Ground) for power from the branch circuit or to the Load.



#### 2. Identify your wires.

- Turn off power.
- Separate wires.
- Restore power and test all wires with the voltage tester to find the Line (Hot) wire. **NOTE:** The Traveler bundle (White, Red, Black, Ground) jumps between both boxes and should not be energized when the power is restored.
- Turn off the power and mark the Line (Hot) wire.



For the 2-conductor bundles, one bundle's Black will have voltage (Line) and the others Black will not have voltage (Load) as noted by the wire tester in the above illustration.

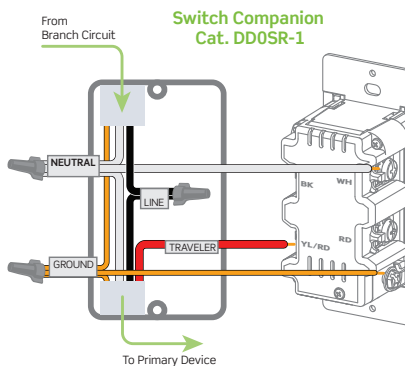
**NOTE:** This wiring is compatible with all Decora Smart and Decora Digital products in the compatibility chart on page 2.

6

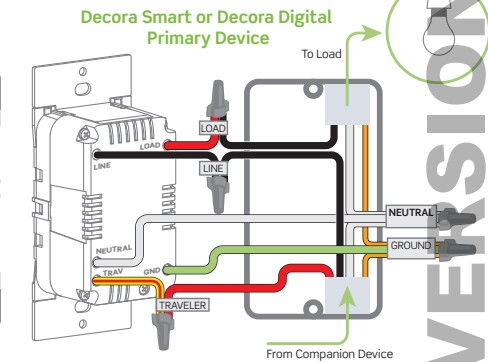
#### 3. Making connections

**WARNING: TO AVOID FIRE, SHOCK OR DEATH, TURN OFF POWER AT THE CIRCUIT BREAKER.**

Connect wires to the Switch Companion's terminal screws as shown:



Connect wires to the primary device's terminal screws or leads using wire connectors as shown:



The Primary is installed in the box with the **Load** connection. If wiring a DDL06-1 Dimmer, the Neutrals are tied together in the box and not connected.

**NOTE:** On the DD0SR-1 Switch Companion, the BK and RD terminal connections are not used when a Neutral is available.

After the wires are connected, install the switches back into the electrical box and secure the wall plates. Restore Power and test to verify proper operation.

**If your wiring does not match one of the included examples or you are unsure of your wiring, please contact an electrician or call Leviton Technical Services.**



## 3-Way Wiring Without A Neutral Wire (DDL06)

**WARNING: TO AVOID FIRE, SHOCK OR DEATH, TURN OFF POWER AT THE CIRCUIT BREAKER.**

### 1. Review your existing installation.

In this example, only one box has a 2-conductor bundle (White, Black, Ground) and both boxes have a traveler bundle (White, Black, Red, Ground). Therefore, a Neutral connection is **not** available in both boxes.

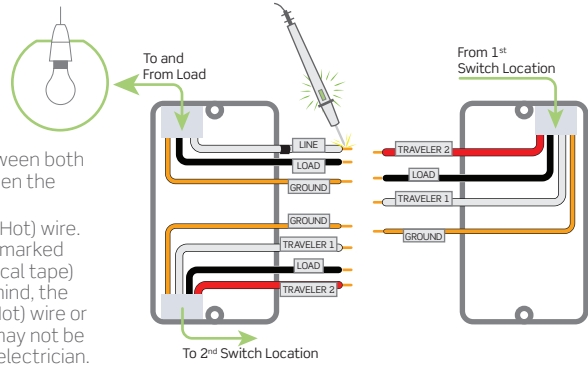
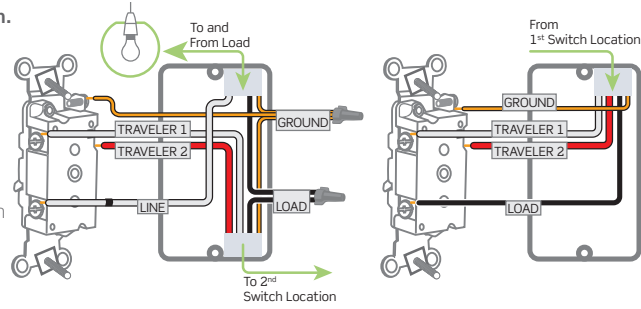
When a Neutral is not available in both boxes only the DDL06 is compatible and an Earth Ground is required in both boxes. Decora Smart, Decora Occupancy, and Decora Timer products require a neutral in both boxes.

### 2. Identify your wires.

- Turn off power.
- Separate wires.
- Restore power and test all wires with the voltage tester to find the **Line (Hot) wire**.

**NOTE:** The Traveler bundle (White, Black, Red, Ground) jumps between both boxes and should not be energized when the power is restored.

- Turn off the power and mark the Line (Hot) wire. In this example the Line (Hot) wire is a marked white wire (wrapped with black electrical tape) to indicate it is not a neutral. Keep in mind, the color of the wires can vary. The Line (Hot) wire or Load wire may be Black or White and may not be marked. If you are unsure, contact an electrician.

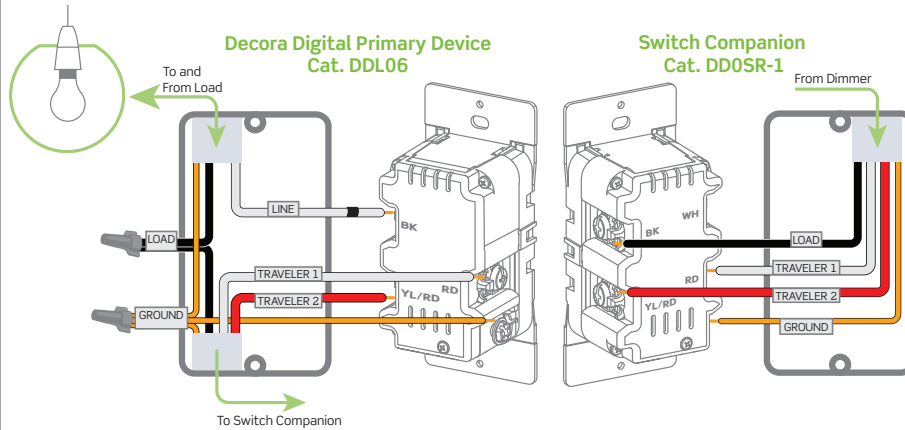


### 3. Making connections

**WARNING: TO AVOID FIRE, SHOCK OR DEATH, TURN OFF POWER AT THE CIRCUIT BREAKER.**

Connect wires to the primary device's terminal screws as shown:

Connect wires to the Switch Companion's terminal screws as shown:



The Primary is installed in the box with the **Load** connection.

After the wires are connected, install the switches back into the electrical box and secure the wall plates. Restore Power and test to verify proper operation.

**If your wiring does not match one of the included examples or you are unsure of your wiring, please contact an electrician or call Leviton Technical Services.**

7



## 3-Way Wiring With A Neutral Wire In One Box (DDL06)

**WARNING: TO AVOID FIRE, SHOCK OR DEATH, TURN OFF POWER AT THE CIRCUIT BREAKER.**

### 1. Review your existing installation.

In this example, only one box has a 2-conductor bundle (white, black, ground) and both boxes have a traveler bundle (white, black, red, ground). Therefore, a neutral connection is not available in both boxes.

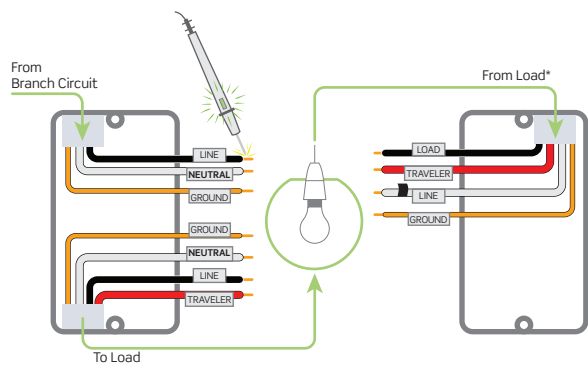
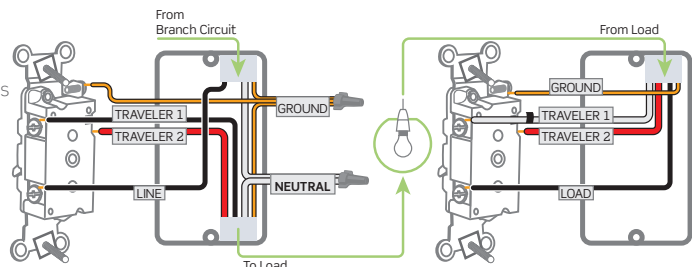
When a Neutral is not available in both boxes, Decora Smart, Decora Occupancy, and Decora Timer products are not compatible with the DD0SR-1.

### 2. Identify your wires.

- Turn off power.
- Separate wires.
- Restore power and test all wires with the voltage tester to find the **Line (Hot) wire**.

**NOTE:** The Traveler bundle (White, Black, Red, Ground) jumps between both boxes and should not be energized when the power is restored.

- Turn off the power and mark the Line (Hot) wire.

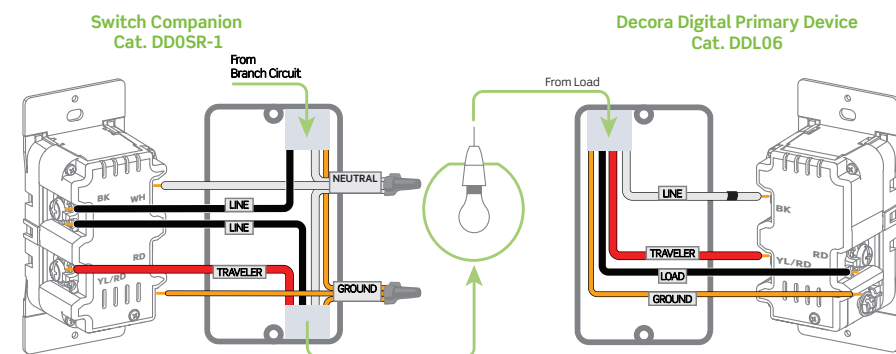


### 3. Making connections

**WARNING: TO AVOID FIRE, SHOCK OR DEATH, TURN OFF POWER AT THE CIRCUIT BREAKER.**

Connect wires to the Switch Companion's terminal screws as follows:

Connect wires to the primary device's terminal screws or leads using wire connectors as shown.



The Primary is installed in the box with the **Load** connection.

After the wires are connected, install the switches back into the electrical box and secure the wall plates. Restore Power and test to verify proper operation.

**If your wiring does not match one of the included examples or you are unsure of your wiring, please contact an electrician or call Leviton Technical Services.**

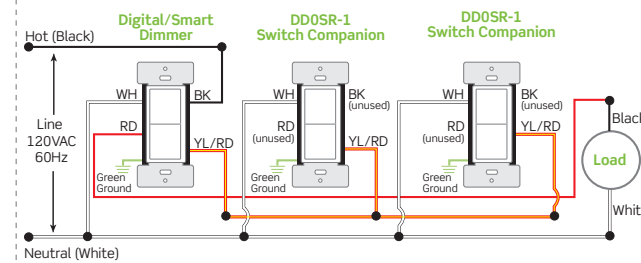
8



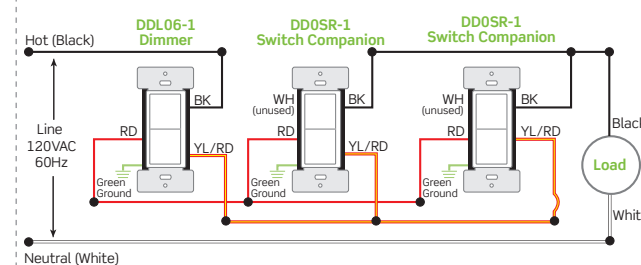
## Additional Control Locations

For multi-location installations with more than one companion device, ensure each one is connected to Line, Neutral and the YL/RD Traveler, which is used to communicate the button presses and LED status.

### With Neutral Connection



### DDL06 No-Neutral Connections



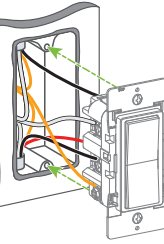
9



## Install And Test

- Gently push wires into wallbox. Do not overtighten wallbox screws.
- Install wallplate base and snap on Decora wallplate.

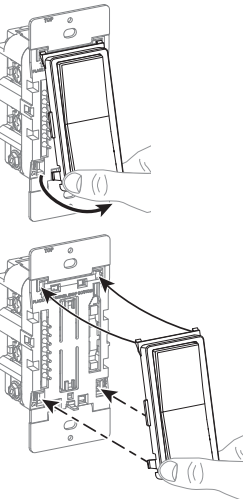
Restore power and turn ON. If Load does not turn on, see "What To Do If..." section on page 13.



## Change The Color Of Your Device

Your companion device may include color options. To change color, proceed as follows:

To remove the color face, push in the sides at bottom tabs and pull outward to release.



Insert top tabs and press in bottom tabs to attach new face plate.

10



## What To Do If...

**All connections required have not been made:**

- Check the "Identify your wires" section on page 6 to ensure all connections have been made.
- If your switch wallbox contains a different wiring configuration, contact Leviton Technical Support or consult an electrician.

**Lights are flickering:**

- Lamp has a bad connection.
- Wires may not be secured firmly under terminal screws or wire lead connections may not be secure to primary switch, dimmer, fan speed controller and/or switch companion.

**Companion does not operate the load:**

- Ensure that total wire length does not exceed 300 ft (90 m).
- Ensure primary Switch, Dimmer, or Fan Speed Controller is installed properly.
- For applications with neutral wiring, verify the Switch, Dimmer, or Fan Speed Controller is installed on the load side of the 3-way application.
- Verify the companion device is being used with a compatible Switch, Dimmer, or Fan Speed Controller. (Refer to the "Compatibility" chart on page 2.)

11



## Safety First

**WARNINGS:**

- TO AVOID FIRE, SHOCK OR DEATH: TURN OFF POWER AT CIRCUIT BREAKER OR FUSE AND TEST THAT POWER IS OFF BEFORE WIRING!**
- To be installed and/or used in accordance with electrical codes and regulations.
- If you are unsure about any part of these instructions, consult an electrician.

**CAUTIONS:**

- Use this device **WITH COPPER OR COPPER CLAD WIRE ONLY**.
- Use only one (1) Decora Smart/Decora Digital dimmer or switch in a multi-location circuit with up to 9 additional companion devices.
- Recommended minimum wallbox depth for companion devices is 2-1/2 in.
- Maximum wire length from the primary Dimmer, Switch, or Fan Speed Controller to all installed companions cannot exceed 300 ft (90 m).
- To avoid damage to the product, **DO NOT** use disinfecting products, including foggers, sprays or other types of atomized cleaning agents. **DO NOT** spray liquid onto the product. To clean use a damp cloth with mild soap.

## Limited 5 Year Warranty & Exclusions

For Leviton's limited product warranty, go to [www.leviton.com](http://www.leviton.com). For a printed copy of the warranty, call 1-800-824-3005.

**FOR CANADA ONLY**

For warranty information and/or product returns, residents of Canada should contact Leviton in writing at Leviton Manufacturing of Canada ULC to the attention of the Quality Assurance Department, 165 Hymus Blvd, Pointe-Claire (Quebec), Canada H9R 1E9 or by telephone at 1-800-405-5320.

WEB VERSION

\* Keep in mind, the color of the wires can vary. The Line (Hot) wire or Load wire may be Black or White and may not be marked. If you are unsure, contact an electrician.

**NOTE:** Leviton offers the Decora Smart No-Neutral DN6HD Dimmer or DN15S Switch which can be used with the DAWDC or DAWSC wireless Anywhere Companions for wire-free 3-way applications where Neutral wiring is not available.